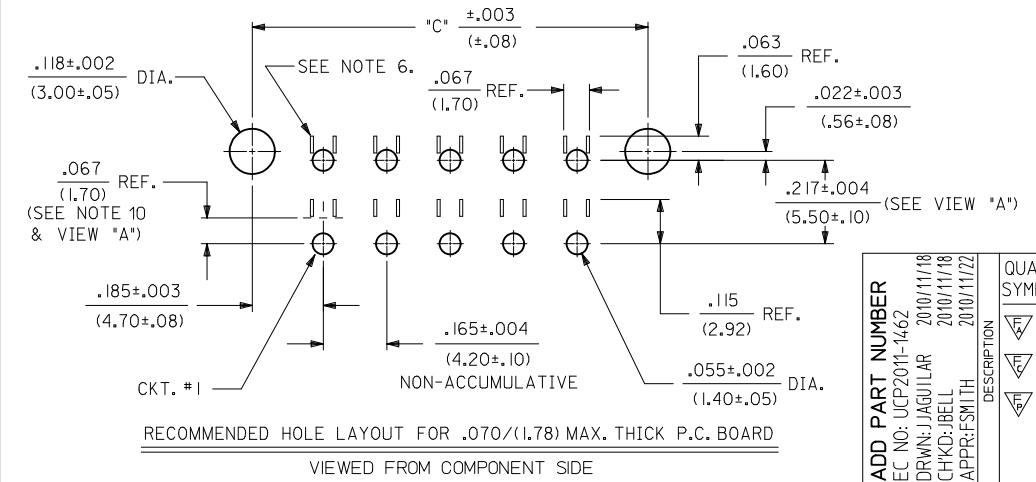


VIEW "A"

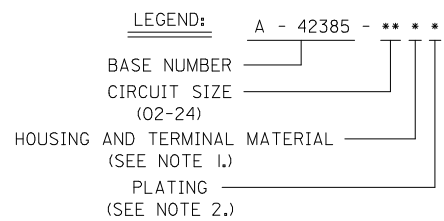


RECOMMENDED HOLE LAYOUT FOR .070/(1.78) MAX. THICK P.C. BOARD  
VIEWED FROM COMPONENT SIDE

NOTES:

- 1) HOUSING AND TERMINAL MATERIAL:
  - A - HOUSING: NYLON 6/6, U.L. 94V-2, COLOR: NATURAL. TERMINAL: BRASS, ALLOY 260.
  - B - HOUSING: NYLON 6/6, U.L. 94V-0, COLOR: NATURAL. TERMINAL: BRASS, ALLOY 260.
  - C - HOUSING: NYLON 6/6, U.L. 94V-2, COLOR: NATURAL. TERMINAL: PHOS. BRONZE, ALLOY 510.
  - D - HOUSING: NYLON 6/6, U.L. 94V-0, COLOR: NATURAL. TERMINAL: PHOS. BRONZE, ALLOY 510.
- 2) TERMINAL PLATING:
  - 1 - .000100/(.00254) MIN. BRIGHT TIN OVER .000050/(.00127) MIN. NICKEL.
  - 2 - .000030/(.00076) MIN. SELECT GOLD AND .000100/(.00254) MIN. SELECT MATTE TIN OVER .000050/(.00127) MIN. NICKEL OVERALL.
  - 3 - .000100/(.00254) MIN. TIN OVER .000050/(.00127) MIN. NICKEL.
  - 4 - .000050/(.00127) MIN. SELECT GOLD AND .000100/(.00254) MIN. SELECT MATTE TIN OVER .000050/(.00127) MIN. NICKEL OVERALL.
- 3) PRODUCT SPECIFICATION AND PROCESSING PARAMETERS: PS-5556-002.
- 4) TRAY PACK PER PK-42385-999.
- 5) PART MATES WITH MINI-FIT B.M.I. PLUG #42475 AND HEADERS 42404,42440,43879, AND 44068.
- 6) PHANTOM LINES INDICATE AREAS WHERE TERMINAL STANDOFFS CONTACT P.C. BOARD.
- 7) A MAXIMUM TOLERANCE OF .050/(1.27) ALLOWS FOR 2 POINTS OF ELECTRICAL CONTACT. A MAXIMUM TOLERANCE OF .020/(.51) ALLOWS FOR 4 POINTS OF CONTACT.
- 8) .016 IN/IN OR .016 MM/MM MAX. BOW ALLOWABLE AT DATUM [-C-].
- 9) PART ALLOWS FOR UP TO .100/(2.54) MISALIGNMENT WITH MATING CONNECTOR.
- 10) DIMENSION TO BE USED FOR ALIGNMENT OF CIRCUIT #1 OF MATING CONNECTOR
  - 11) CONNECTOR ASSEMBLIES ARE NOT TO BE MATED OR UNMATED WHILE CIRCUITS ARE LIVE.
  - 12) PARTS NOT DESIGNED FOR CURRENT SHARING.
  - 13) WHEN THIS PRODUCT IS USED IN A BLIND MATING APPLICATION, THE SYSTEM LEVEL DESIGN MUST INCORPORATE GUIDANCE SO THE CONNECTORS ARE WITHIN THE CAPTURE ENVELOPE OF THE FLANGES ON THE HEADER OR PLUG HOUSING AND CAN THUS ALIGN THEMSELVES AS THEY COME TOGETHER. FLOAT IS ALSO REQUIRED IN THE OVERALL DESIGN TO ALLOW THE PCB RECEPTACLE OR ITS MATE TO MOVE INTO A STRESS-FREE POSITION AFTER MATING.
  - 14) PARTS CONFORM TO CLASS 'B' REQUIREMENTS OF COSMETIC SPECIFICATION PS-45499-002.

CIRCUIT SIZE	DIM. "A"	DIM. "B"	DIM. "C"
2	—	.21 (5.4)	.370 (9.40)
4	.165 (4.20)	.38 (9.6)	.535 (13.60)
6	.331 (8.40)	.54 (13.8)	.701 (17.80)
8	.496 (12.60)	.71 (18.0)	.866 (22.00)
10	.661 (16.80)	.87 (22.2)	1.031 (26.20)
12	.827 (21.00)	1.04 (26.4)	1.197 (30.40)
14	.992 (25.20)	1.20 (30.6)	1.362 (34.60)
16	1.157 (29.40)	1.37 (34.8)	1.528 (38.80)
18	1.323 (33.60)	1.54 (39.0)	1.693 (43.00)
20	1.488 (37.80)	1.70 (43.2)	1.858 (47.20)
22	1.654 (42.00)	1.87 (47.4)	2.024 (51.40)
24	1.819 (46.20)	2.03 (51.6)	2.189 (55.60)

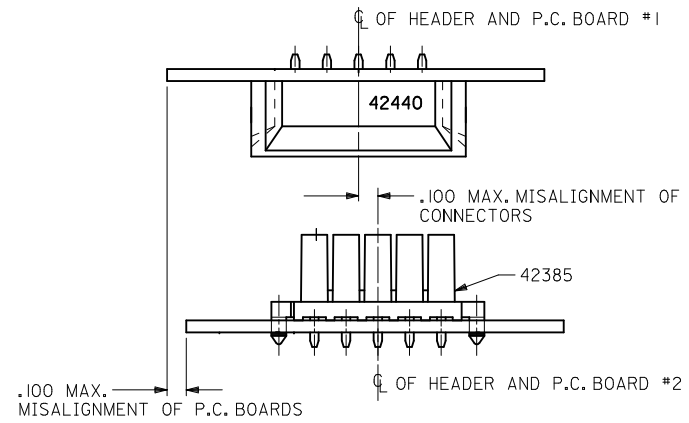
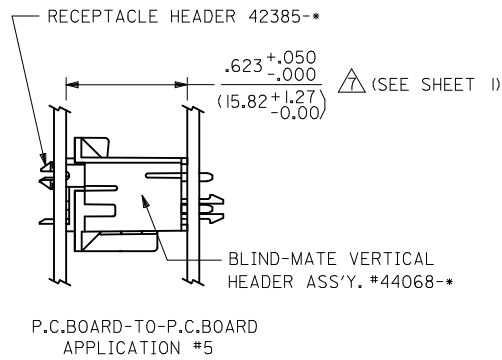
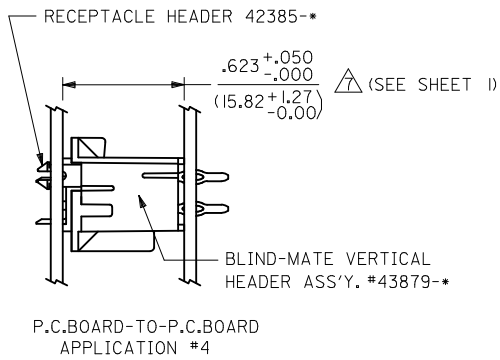


ADD PART NUMBER	QUALITY SYMBOLS
EC NO: UCP2011-1462	▽=0
DRWN: JAGUILAR 2010/11/18	▽=0
CHKD: JEBELL 2010/11/18	▽=0
APPR: FSMITH 2010/11/22	
REV	
W5	

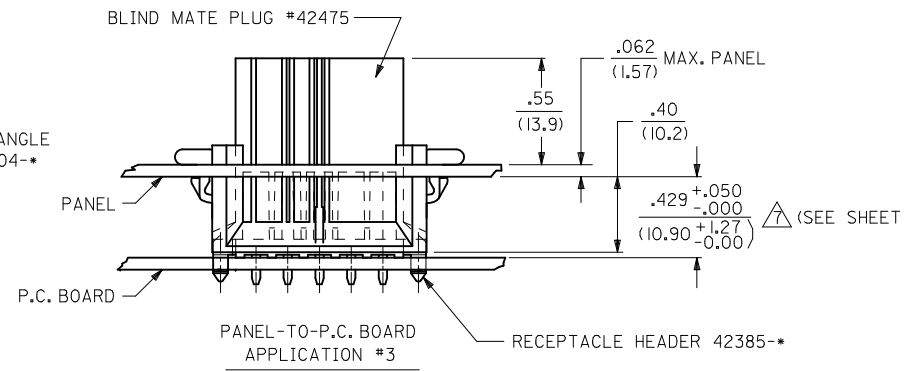
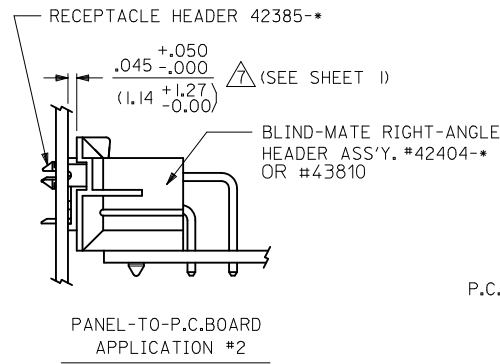
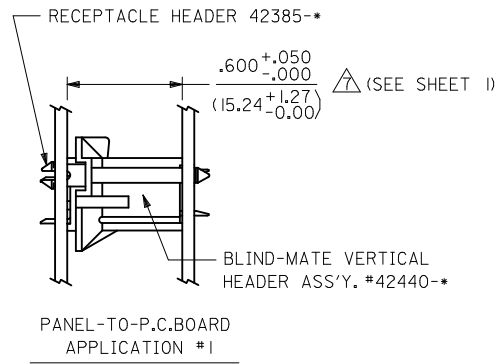
GENERAL TOLERANCES (UNLESS SPECIFIED)	DIMENSION STYLE
mm INCH	IN/MM
4 PLACES ± --- ± ---	DRAWN BY DATE
3 PLACES ± --- ± .010	RJF 1988/12/09
2 PLACES ± 0.25 ± .015	CHECKED BY DATE
1 PLACE ± 0.38 ± ---	JTR 1988/12/09
ANGULAR ± 5 °	APPROVED BY DATE
	FSMITH 2010/11/22
DRAFT WHERE APPLICABLE MUST REMAIN WITHIN DIMENSIONS	MATERIAL NO.
	SEE SHT 3-4
	SIZE
	C

SCALE	DESIGN UNITS	THIRD ANGLE PROJECTION
4:1	METRIC	☉ □
RECEPTACLE HEADER ASSY MINI-FIT SERIES BLIND MATE		
MOLEX INCORPORATED		
DOCUMENT NO.	SHEET NO.	
SDA-42385-*	1 OF 4	

THIS DRAWING CONTAINS INFORMATION THAT IS PROPRIETARY TO MOLEX INCORPORATED AND SHOULD NOT BE USED WITHOUT WRITTEN PERMISSION		
---	--	--



ALIGNMENT TOLERANCES FOR .100 MAX. BOARD-TO-BOARD MISALIGNMENT  
(NO CONNECTOR FLOAT)



SEE NOTE 13

<b>SEE SHEET 1</b> EC NO: UCP2011-1462 2010/11/18 DRWN: JAGUILAR 2010/11/18 CHKD: J.BELL 2010/11/18 APPR: FSMITH 2010/11/22 W5	QUALITY SYMBOLS ▽=0 ▽=0 ▽=0	GENERAL TOLERANCES (UNLESS SPECIFIED)		DIMENSION STYLE <b>IN/MM</b>		SCALE <b>4:1</b>	DESIGN UNITS <b>METRIC</b>	THIRD ANGLE PROJECTION			
		4 PLACES ± --- ± ---	3 PLACES ± --- ± .010	DRAWN BY RJF	DATE 1988/12/09	<b>RECEPTACLE HEADER ASSY MINI-FIT SERIES BLIND MATE</b>					
		2 PLACES ± 0.25 ± .015	1 PLACE ± 0.38 ± ---	CHECKED BY JTR	DATE 1988/12/09						
		ANGULAR ± 5 °		APPROVED BY FSMITH		DATE 2010/11/22	MATERIAL NO. <b>SEE CHART</b>		DOCUMENT NO. <b>SDA-42385-*</b>	SHEET NO. <b>2 OF 4</b>	
DRAFT WHERE APPLICABLE MUST REMAIN WITHIN DIMENSIONS				SIZE <b>C</b>		THIS DRAWING CONTAINS INFORMATION THAT IS PROPRIETARY TO MOLEX INCORPORATED AND SHOULD NOT BE USED WITHOUT WRITTEN PERMISSION					

<p><b>SEE SHEET 1</b>                  EC NO: UCP2011-1462 2010/11/18                  DRWN: JAGUILAR 2010/11/18                  CHKD: JELL 2010/11/18                  APPR: FSMITH 2010/11/22</p>	<p>DESCRIPTION                  W5</p>	<p>QUALITY SYMBOLS  </p>	<p>GENERAL TOLERANCES (UNLESS SPECIFIED)</p> <table border="1" style="width:100%; border-collapse: collapse;"> <tr> <td></td> <td>mm</td> <td>INCH</td> </tr> <tr> <td>4 PLACES</td> <td>± .010</td> <td>± .0004</td> </tr> <tr> <td>3 PLACES</td> <td>± .010</td> <td>± .0004</td> </tr> <tr> <td>2 PLACES</td> <td>± 0.25</td> <td>± .015</td> </tr> <tr> <td>1 PLACE</td> <td>± 0.38</td> <td>± .015</td> </tr> </table> <p>ANGULAR ± 5°</p>		mm	INCH	4 PLACES	± .010	± .0004	3 PLACES	± .010	± .0004	2 PLACES	± 0.25	± .015	1 PLACE	± 0.38	± .015	<p>DIMENSION STYLE                  IN/MM</p> <p>DRAWN BY: RJF DATE: 1988/12/09                  CHECKED BY: JTR DATE: 1988/12/09                  APPROVED BY: FSMITH DATE: 2010/11/22</p> <p>MATERIAL NO. SEE CHART                  DOCUMENT NO. SDA-42385-*</p>	<p>SCALE 1:1                  DESIGN UNITS METRIC                  THIRD ANGLE PROJECTION</p> <p style="text-align: center;"><b>RECEPTACLE HEADER ASSY                  MINI-FIT SERIES                  BLIND MATE</b></p> <p style="text-align: center;"><b>MOLEX INCORPORATED</b></p> <p style="text-align: right;">SHEET NO. 3 OF 4</p>
	mm	INCH																		
4 PLACES	± .010	± .0004																		
3 PLACES	± .010	± .0004																		
2 PLACES	± 0.25	± .015																		
1 PLACE	± 0.38	± .015																		

PART NUMBER	ENG. NUMBER	CKT. SIZE	HSG./TERM. MATERIAL	TERMINAL PLATING
NO E.D.P.	A-42385-02A1	2	94V-2/BRASS	BRIGHT TIN OVER TICKEL
15-24-7040	-04A1	4		
15-24-7060	-06A1	6		
NO E.D.P.	-08A1	8		
15-24-7100	-10A1	10		
NO E.D.P.	-12A1	12		
15-24-7140	-14A1	14		
15-24-7160	-16A1	16		
15-24-7180	-18A1	18		
NO E.D.P.	-20A1	20		
NO E.D.P.	-22A1	22		
15-24-7240	A-42385-24A1	24	94V-2/BRASS	BRIGHT TIN OVER TICKEL
NO E.D.P.	A-42385-02A2	2	94V-2/BRASS	30 M.I. SEL. GOLD
15-24-7042	-04A2	4		
15-24-7062	-06A2	6		
NO E.D.P.	-08A2	8		
15-24-7102	-10A2	10		
NO E.D.P.	-12A2	12		
15-24-7142	-14A2	14		
15-24-7162	-16A2	16		
15-24-7182	-18A2	18		
NO E.D.P.	-20A2	20		
NO E.D.P.	-22A2	22		
15-24-7242	A-42385-24A2	24	94V-2/BRASS	30 M.I. SEL. GOLD
NO E.D.P.	A-42385-02C1	2	94V-2/P.B.	BRIGHT TIN OVER TICKEL
15-24-7044	-04C1	4		
15-24-7064	-06C1	6		
NO E.D.P.	-08C1	8		
15-24-7104	-10C1	10		
NO E.D.P.	-12C1	12		
15-24-7144	-14C1	14		
NO E.D.P.	-16C1	16		
15-24-7184	-18C1	18		
NO E.D.P.	-20C1	20		
NO E.D.P.	-22C1	22		
15-24-7244	A-42385-24C1	24	94V-2/P.B.	BRIGHT TIN OVER TICKEL
NO E.D.P.	A-42385-02C2	2	94V-2/P.B.	30 M.I. SEL. GOLD
NO E.D.P.	-04C2	4		
NO E.D.P.	-06C2	6		
NO E.D.P.	-08C2	8		
NO E.D.P.	-10C2	10		
NO E.D.P.	-12C2	12		
NO E.D.P.	-14C2	14		
NO E.D.P.	-16C2	16		
NO E.D.P.	-18C2	18		
NO E.D.P.	-20C2	20		
NO E.D.P.	-22C2	22		
NO E.D.P.	A-42385-24C2	24	94V-2/P.B.	30 M.I. SEL. GOLD

PART NUMBER	ENG. NUMBER	CKT. SIZE	HSG./TERM. MATERIAL	TERM. PLATING
NO E.D.P.	A-42385-02B1	2	94V-0/BRASS	BRIGHT TIN OVER TICKEL
15-24-7041	-04B1	4		
15-24-7061	-06B1	6		
NO E.D.P.	-08B1	8		
15-24-7101	-10B1	10		
NO E.D.P.	-12B1	12		
15-24-7141	-14B1	14		
15-24-7161	-16B1	16		
15-24-7181	-18B1	18		
NO E.D.P.	-20B1	20		
NO E.D.P.	-22B1	22		
15-24-7241	A-42385-24B1	24	94V-0/BRASS	BRIGHT TIN OVER TICKEL
NO E.D.P.	A-42385-02B2	2	94V-0/BRASS	30 M.I. SEL. GOLD
15-24-7043	-04B2	4		
15-24-7063	-06B2	6		
NO E.D.P.	-08B2	8		
15-24-7103	-10B2	10		
NO E.D.P.	-12B2	12		
15-24-7143	-14B2	14		
15-24-7163	-16B2	16		
15-24-7183	-18B2	18		
NO E.D.P.	-20B2	20		
NO E.D.P.	-22B2	22		
15-24-7243	A-42385-24B2	24	94V-0/BRASS	30 M.I. SEL. GOLD
NO E.D.P.	A-42385-02D1	2	94V-0/P.B.	BRIGHT TIN OVER TICKEL
NO E.D.P.	-04D1	4		
NO E.D.P.	-06D1	6		
NO E.D.P.	-08D1	8		
15-24-7105	-10D1	10		
NO E.D.P.	-12D1	12		
NO E.D.P.	-14D1	14		
NO E.D.P.	-16D1	16		
NO E.D.P.	-18D1	18		
NO E.D.P.	-20D1	20		
NO E.D.P.	-22D1	22		
NO E.D.P.	A-42385-24D1	24	94V-0/P.B.	BRIGHT TIN OVER TICKEL
NO E.D.P.	A-42385-02D2	2	94V-0/P.B.	30 M.I. SEL. GOLD
NO E.D.P.	-04D2	4		
15-24-7067	-06D2	6		
NO E.D.P.	-08D2	8		
15-24-7107	-10D2	10		
NO E.D.P.	-12D2	12		
NO E.D.P.	-14D2	14		
NO E.D.P.	-16D2	16		
15-24-7187	-18D2	18		
NO E.D.P.	-20D2	20		
NO E.D.P.	-22D2	22		
15-24-7247	A-42385-24D2	24	94V-0/P.B.	30 M.I. SEL. GOLD

PART NUMBER	ENG. NUMBER	CKT. SIZE	HSG./TERM. MATERIAL	TERMINAL PLATING
NO E.D.P.	A-42385-02A3	2	94V-2/BRASS	MATTE TIN OVER NICKEL
NO E.D.P.	-04A3	4		
NO E.D.P.	-06A3	6		
NO E.D.P.	-08A3	8		
NO E.D.P.	-10A3	10		
NO E.D.P.	-12A3	12		
NO E.D.P.	-14A3	14		
NO E.D.P.	-16A3	16		
NO E.D.P.	-18A3	18		
NO E.D.P.	-20A3	20		
NO E.D.P.	-22A3	22		
NO E.D.P.	A-42385-24A3	24	94V-2/BRASS	MATTE TIN OVER NICKEL
NO E.D.P.	A-42385-02A4	2	94V-2/BRASS	50 M.I. SEL. GOLD
I5-24-3048	-04A4	4		
NO E.D.P.	-06A4	6		
NO E.D.P.	-08A4	8		
NO E.D.P.	-10A4	10		
NO E.D.P.	-12A4	12		
NO E.D.P.	-14A4	14		
NO E.D.P.	-16A4	16		
NO E.D.P.	-18A4	18		
NO E.D.P.	-20A4	20		
NO E.D.P.	-22A4	22		
NO E.D.P.	A-42385-24A4	24	94V-2/BRASS	50 M.I. SEL. GOLD
NO E.D.P.	A-42385-02B4	2	94V-0/BRASS	50 M.I. SEL. GOLD
NO E.D.P.	-04B4	4		
NO E.D.P.	-06B4	6		
NO E.D.P.	-08B4	8		
NO E.D.P.	-10B4	10		
NO E.D.P.	-12B4	12		
NO E.D.P.	-14B4	14		
NO E.D.P.	-16B4	16		
NO E.D.P.	-18B4	18		
NO E.D.P.	-20B4	20		
NO E.D.P.	-22B4	22		
NO E.D.P.	A-42385-24B4	24	94V-0/BRASS	50 M.I. SEL. GOLD
NO E.D.P.	A-42385-02C4	2	94V-2/P.B.	50 M.I. SEL. GOLD
NO E.D.P.	-04C4	4		
NO E.D.P.	-06C4	6		
NO E.D.P.	-08C4	8		
NO E.D.P.	-10C4	10		
NO E.D.P.	-12C4	12		
NO E.D.P.	-14C4	14		
NO E.D.P.	-16C4	16		
NO E.D.P.	-18C4	18		
NO E.D.P.	-20C4	20		
NO E.D.P.	-22C4	22		
NO E.D.P.	A-42385-24C4	24	94V-2/P.B.	50 M.I. SEL. GOLD

<b>SEE SHEET 1</b> EC NO: UCP2011-1462 DRWN: JAGUILAR CHKD: JBELL APPR: FSMITH W5	DESCRIPTION REV	QUALITY SYMBOLS	GENERAL TOLERANCES (UNLESS SPECIFIED)	DIMENSION STYLE IN/MM	SCALE METRIC	DESIGN UNITS METRIC	THIRD ANGLE PROJECTION
		$\nabla = \text{O}$ $\nabla = \text{O}$ $\nabla = \text{O}$	mm INCH 4 PLACES $\pm .005$ $\pm .010$ 3 PLACES $\pm .010$ $\pm .015$ 2 PLACES $\pm .015$ $\pm .020$ 1 PLACE $\pm .020$ $\pm .030$ ANGULAR $\pm 5^\circ$	DRAWN BY DATE RJF 1988/12/09 CHECKED BY DATE JTR 1988/12/09 APPROVED BY DATE FSMITH 2010/11/22	TITLE <b>RECEPTACLE HEADER ASSY          MINI-FIT SERIES          BLIND MATE</b>		
		DRAFT WHERE APPLICABLE MUST REMAIN WITHIN DIMENSIONS	MATERIAL NO. <b>SEE CHART</b>	DOCUMENT NO. <b>SDA-42385-*</b>	SHEET NO. <b>4 OF 4</b>		
		THIS DRAWING CONTAINS INFORMATION THAT IS PROPRIETARY TO MOLEX INCORPORATED AND SHOULD NOT BE USED WITHOUT WRITTEN PERMISSION	<b>MOLEX INCORPORATED</b>				